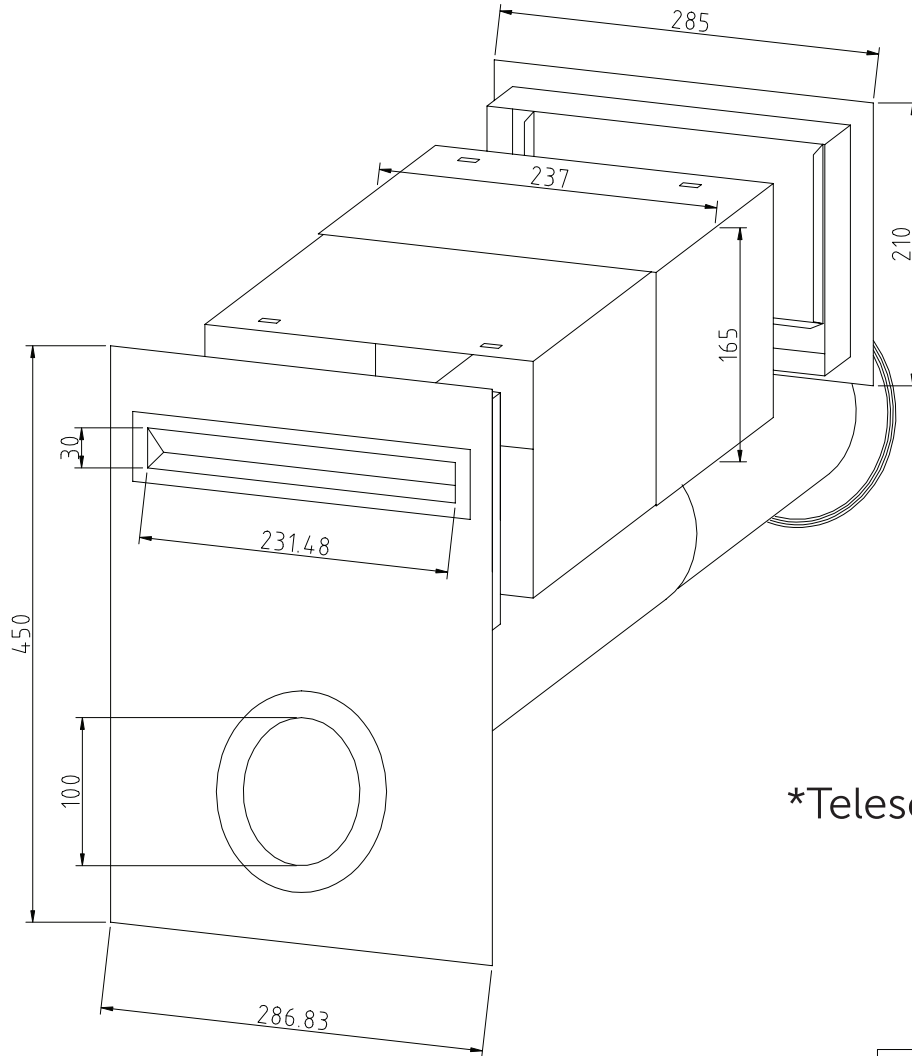


Frontier

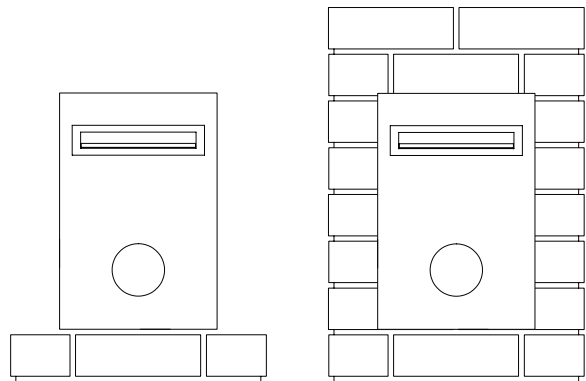
A4 Rear Opening Set

Instructions



*Telescopic Sleeve

NOTE: MEASURE THE DISTANCE FROM SLEEVE TO RING IN ORDER TO FIT SLEEVE INTO NORMAL BRICK COURSE



Build up brickwork to desired height and set mail tube in place

Complete remaining brickwork